

Nil-Cor[®] LLC

Flanged Ball Check Valve

- 300
- 310
- 410
- 500XP
- 610XP

Sizes 1" - 6"



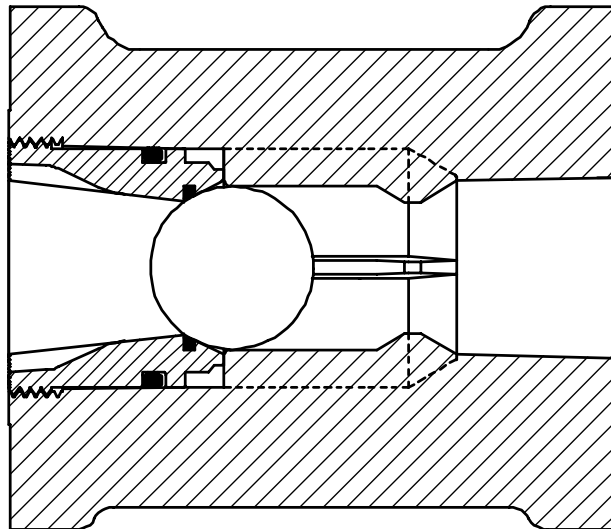


Nil-Cor Flanged Ball Check Valve (1" - 6")*

The Nil-Cor Advanced Composite Ball Check Valve joins our line-up of Ball and Butterfly valves to make an all-FRP piping system a reality. No more worries about supporting heavy alloy or lined ductile iron valves. And with total

through-body corrosion protection, no more worries about failed liners and perforated bodies. Nil-Cor check valves are virtually unaffected by the harshest external environments including ultra-violet exposure.

* 410 Series 1"-4" only



FEATURES:

- Light Weight
- Corrosion Resistant Body
- Tight Shutoff per API 598 soft seat specifications.
- Installation: Vertical (flow up) or horizontal lines
- Vertical pressure drop to unseat: less than 1 psi.
- Horizontal reseal velocity(liquid flow): 2 feet/sec.
- ANSI CL 150 Flanges
- DIN Drilling Optional
- PFA Encapsulated Silicone Rubber seat
- Solid PTFE Ball
- Molded-in Guide Ribs for Ball Support
- Molded-in Flow Arrow

Technical Data

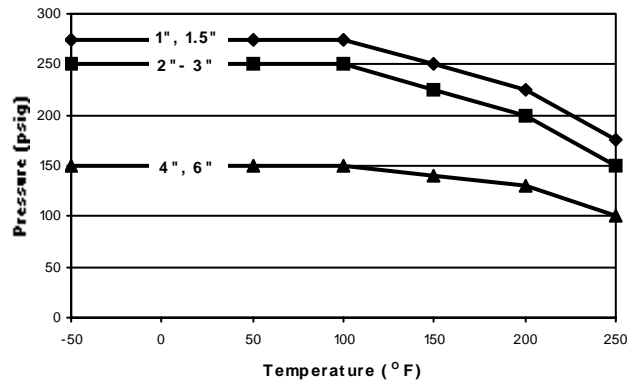


Flow Capacity and Weight

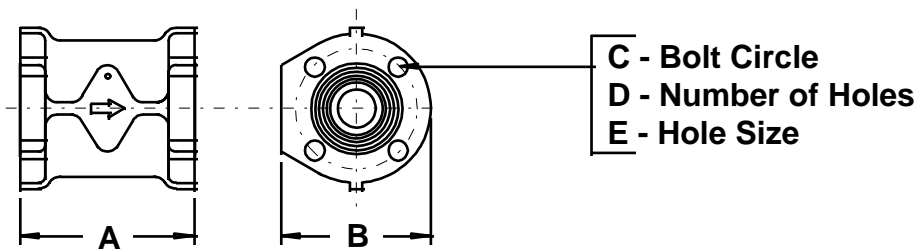
Size: in (mm)	Weight: lbs (kg)	Cv (kv)
1 (25)	3 (1.4)	32 (28)
1-1/2 (40)	6 (2.7)	45 (39)
2 (50)	8 (3.6)	50 (43)
3 (80)	14 (6.4)	155 (134)
4 (100)	23 (10.5)	275 (236)
6 (150)	40 (18.2)	550 (474)

* 410 Series 1"-4" only

Pressure/Temperature Rating



Installation Dimensions

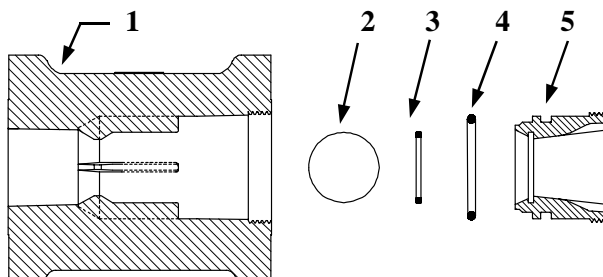


Size	A	B	C*	D*	E*
1	5.00	4.25	3.13	4	5/8"
1-1/2	6.50	5.00	3.88	4	5/8"
2	7.00	6.00	4.75	4	3/4"
3	8.00	7.50	6.00	4	3/4"
4	9.00	9.00	7.50	4	3/4"
6	10.50	11.00	9.50	8	7/8"

*C, D and E correspond to ANSI Class 150 Flat Face Flanges.
 DIN PN 10 and 16 available upon request

* 410 Series 1"-4" only

Materials of Construction



Item	Description	Material
1	Body	Graphite or Glass reinforced resin
2	Ball	Solid Virgin PTFE
3	Seat	PFA Teflon Encapsulated Silicone
4	Body O-Ring	PTFE Coated Viton
5	Body Insert	Graphite or Glass reinforced resin



The World Leader in Advanced
Composite Valves



Nil-Cor, LLC

12241 Rockhill Ave. NE
Alliance, OH, USA 44601
Ph: (330) 823-0500
Fx: (330) 821-6722

Web Site: www.nilcor.com

E-mail: bills@nilcor.com



Certified to
ISO 9001