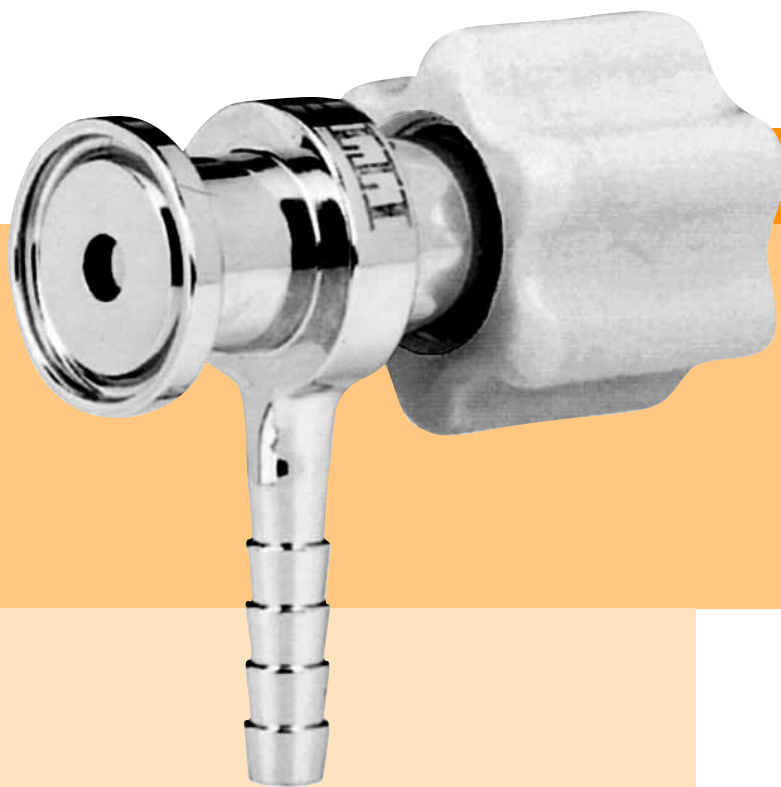




ITT

Pure-Flo®

Sample & Bleed Valves



Engineered for life

www.ittpureflo.com

Application

The Pure-Flo® product line of Sample and Bleed Valves provides compact and economical means to extract process samples and bleed off excess condensate while maintaining product sterility.

Benefits

Stagnant fluid inherent to the take-off leg of a conventional diaphragm or ball valve sample valve is eliminated in the Pure-Flo Sample Valve. By providing a stainless steel metal to metal shut off directly at the Tri-Clamp®, the typical take-off leg is eliminated.

Pure-Flo Sample and Bleed Valves are available in Sample, Zero Static Sample, and Bleed, and with a number of standard and optional features to best suit your system design.

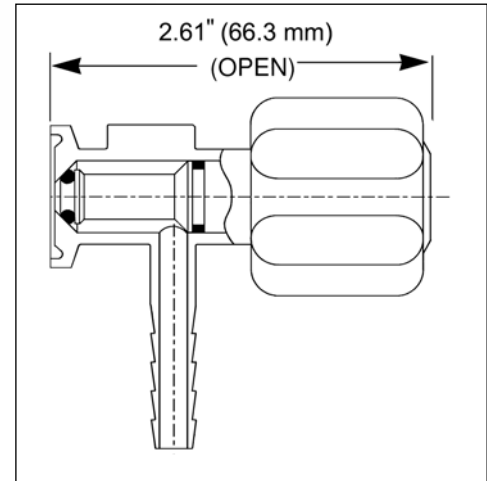
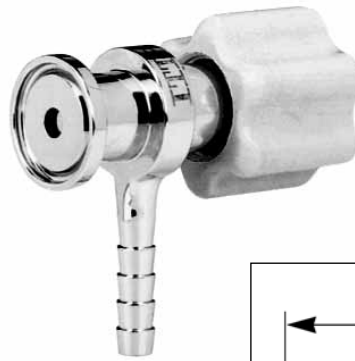
Sample and Bleed Valves are manufactured from 316L stainless steel and utilize a thermoplastic hand-wheel so that they can withstand typical cleaning and sterilization protocols, including autoclaving.

The relatively simple design utilizing "off the shelf" o-ring seals allows for easy replacement of sealing components.

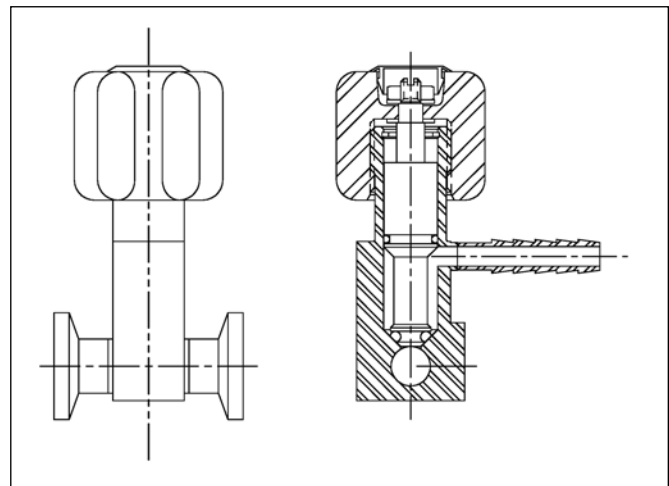
The Sample Valve handle and stem are designed to provide smooth operation and limited wear on the internal components.

The Zero Static Sample Valve can be installed directly in line and allows a sample to be taken or condensate to be drained without the typical hold up volume or contact surfaces inherent to branch valve assemblies.

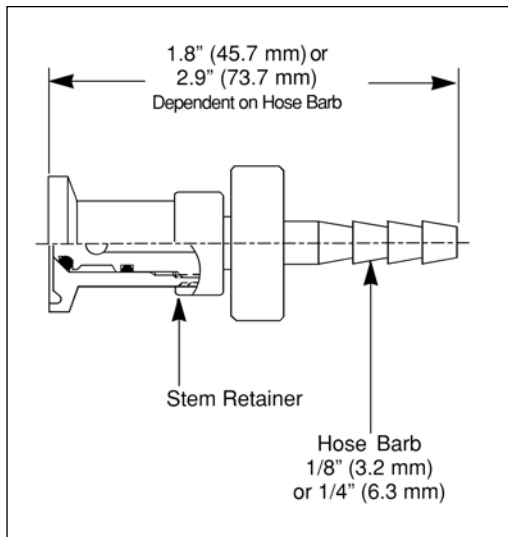
Sample Valve



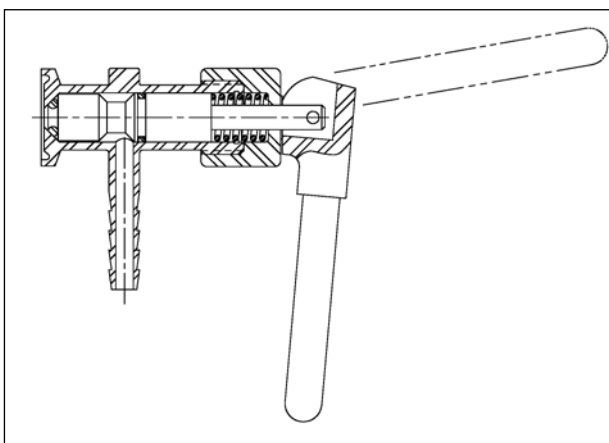
Zero Static Sample Valve



Bleed Valve



Toggle Style Operation



The Bleed valve is a simple but effective design for providing a quick and easy way to asperate or drain a system. These are often used for filter housings, bubble traps, and small tanks. An optional weld end allows the bleed valve to become an integral part of any assembly.

All product contact materials are FDA compliant.

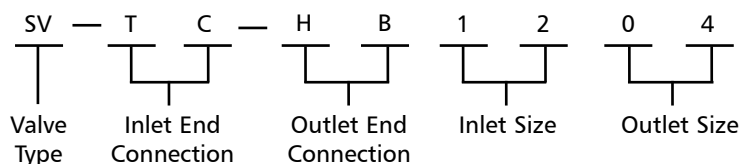
Standard Features

- Body Material: 316L
- O-Ring/Seal Material: EPDM FDA compliant
- Handwheel Material: Polyphenylsulfone
- Standard Interior Surface Finish: $15\mu\text{in}$ ($0.4\mu\text{m}$) Ra
- Electropolish: Interior and Exterior
- Inlet End Connection: Tri-Clamp®
- Outlet End Connection: Tri-Clamp®, Butt weld, Hose Barb
- Maximum Temperature/Pressure: 275°F (135°C) 70 psi (4.8 bar)
- Autoclavable

Available Options

- Body Material: 1.4435, AL6XN, C276, C22
- O-Ring Seal Material: Viton - FDA compliant
- End Connections: ISO/DIN
- Outlet Option: 2nd outlet, steaming port
- Surface Finish: $11\mu\text{in}$ ($0.3\mu\text{m}$) Ra
- Operation: Toggle style handle
- Other options available upon request

For more information, please contact:

**Valve Type (Block A)**

Code	Description	Inlet Sizes	Outlet Sizes
BV	Bleed Valve	1/2-4"	1/8 - 1/4 HB only
SV	Sample Valve	1/2-4"	1/8 - 1/2
ZSS	Zero Static Sample	1/2-4"	1/8 - 1/2

Inlet Connections

Code	Description
TC	Tri-clamp

Outlet Connections

Code	Description
HB	Hose Barb
TC	Tri-clamp
WE	Weld End

Inlet Size

Code	Description
04	1/2"
06	3/4"
08	1"
12	1 1/2"
16	2"

Outlet Size

Code	Description
01	1/8"
02	1/4"
03	3/8"
04	1/2"

Pure-Flo Headquarters

33 Centerville Road
Lancaster, PA 17603-2064 USA
Phone +1 (800) 787-3561
Phone +1 (717) 509-2200
Fax +1 (800) 239-9402

Website: www.ittpureflo.comE-mail: pureflo.custserv@itt.com**Valve Office Locations:**

Pure-Flo

110-B West Cochran
Simi Valley, CA 93065 USA
Phone +1 (800) 926-8884
Phone +1 (805) 520-7200
Fax +1 (805) 520-7205

Pure-Flo

Richards Street
Kirkham, Lancashire
PR4 2HU, England
Phone +44-1772-682696
Fax +44-1772-686006

Other Locations:

Pure-Flo

9625 55th Street
Kenosha, WI 53144 USA
Phone +1 (262) 654-6466
Fax +1 (262) 658-0694



© 2006 ITT Industries, Inc.
Industrial & BioPharm Group

8H.POD